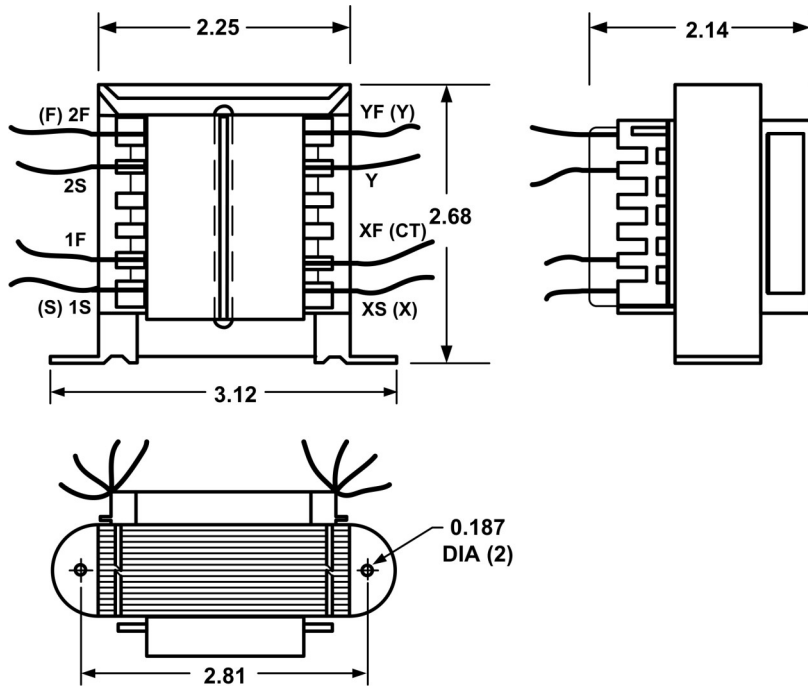


VDE - LEAD WIRES, INTERNATIONAL POWER TRANSFORMER



1. Electrical Specifications

- A. Maximum Power: 43VA
- B. Input Voltage and Frequency: 115/230V, 115V, 230V @ 50/60Hz
- C. Voltage Regulation: ___% TYP @ Full Load to No Load
- D. Temperature Rise: ___°CTYP
- E. Insulation Resistance: > ___ MEG ohm
- F. Hi-Pot: 4000 Vrms 1 minute @ Pri to Sec
 ___ Vrms 1 minute @ Pri to Core
 ___ Vrms 1 minute @ Sec to Core

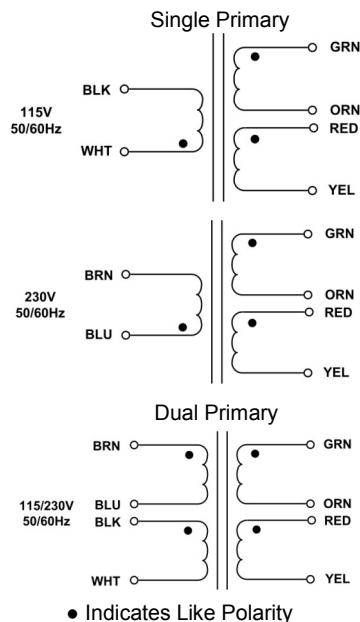
2. Marking: Wabash Transformer, part number (see table), date code, terminal numbers

3. Safety:

- UL/cUL 5085-2 Recognized (File E182486)
- VDE Licensed (File 40001595)
- UL/cUL 5085-3 Class 2 Recognized (File E49606)
- Insulation File No. E182094



CLASS 2



Part No.					
115/230V	115V	230V	Series Connection	Parallel Connection	Class 2
VDE-43L-10	VDE1-43L-10	VDE2-43L-10	10VCT @ 4.30A	5V @ 8.60A	-
VDE-43L-126	VDE1-43L-126	VDE2-43L-126	12.6VCT @ 3.41A	6.3V @ 6.82A	✓
VDE-43L-16	VDE1-43L-16	VDE2-43L-16	16VCT @ 2.68A	8V @ 5.37A	✓
VDE-43L-18	VDE1-43L-18	VDE2-43L-18	18VCT @ 2.38A	9V @ 4.76A	✓
VDE-43L-20	VDE1-43L-20	VDE2-43L-20	20VCT @ 2.15A	10V @ 4.30A	✓
VDE-43L-24	VDE1-43L-24	VDE2-43L-24	24VCT @ 1.79A	12V @ 3.58A	-
VDE-43L-28	VDE1-43L-28	VDE2-43L-28	28VCT @ 1.53A	14V @ 3.06A	-
VDE-43L-36	VDE1-43L-36	VDE2-43L-36	36VCT @ 1.19A	18V @ 2.38A	-
VDE-43L-230	VDE1-43L-230	VDE2-43L-230	230VCT @ .186A	115V @ .372A	-

	INTERNATIONAL POWER TRANSFORMER	VDE-43L-XXX VDE1-43L-XXX VDE2-43L-XXX	
CONTENTS OF THIS DRAWING ARE SUBJECT TO CHANGE WITHOUT PRIOR NOTICE	Wabash Transformer 101 Industrial Park Drive, Clarence, IA 52216	Dim: Inches	Sheet 1 of 1

PROPRIETARY NOTICE: THIS DRAWING PRINT OR DOCUMENT AND SUBJECT MATTER DISCLOSED HEREIN ARE PROPRIETARY ITEMS TO WHICH WABASH TRANSFORMER RETAINS THE EXCLUSIVE RIGHT OF DISSEMINATION, MANUFACTURE AND SALE. THIS DRAWING, PRINT OR DOCUMENT IS SUBMITTED IN CONFIDENCE FOR CONSIDERATION BY THE RECIPIENT ALONE UNLESS PERMISSION FOR FURTHER DISCLOSURE IS EXPRESSLY GRANTED IN WRITING