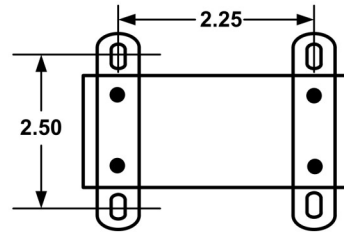
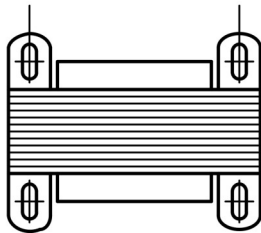
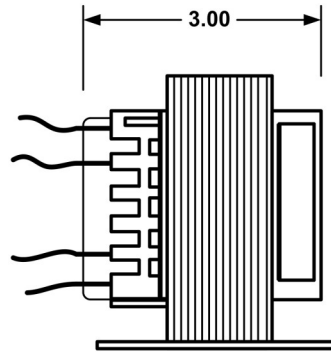
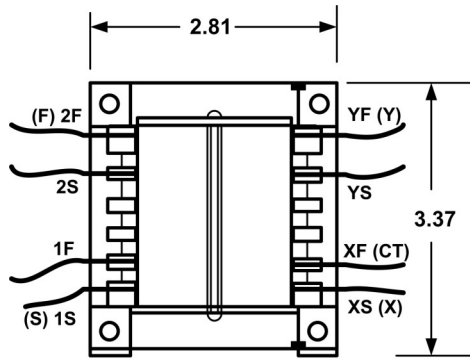


VDE - LEAD WIRES, INTERNATIONAL POWER TRANSFORMER



1. Electrical Specifications

- A. Maximum Power: 100VA
- B. Input Voltage and Frequency: 115/230V, 115V, 230V @ 50/60Hz
- C. Voltage Regulation: ___% TYP @ Full Load to No Load
- D. Temperature Rise: ___°CTYP
- E. Insulation Resistance: > ___ MEG ohm
- F. Hi-Pot: 4000 Vrms 1 minute @ Pri to Sec
 ___ Vrms 1 minute @ Pri to Core
 ___ Vrms 1 minute @ Sec to Core

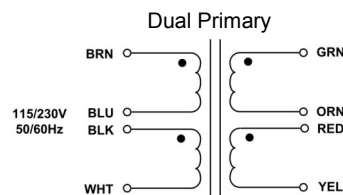
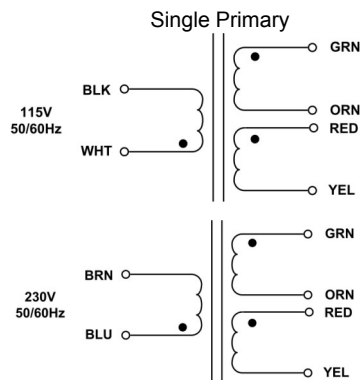
2. Marking: Wabash Transformer, part number (see table), date code, terminal numbers

3. Safety:

UL/cUL 5085-2 Recognized (File E182486)

VDE Licensed (File 40001595)

Insulation File No. E182094



• Indicates Like Polarity

Part No.				
115/230V	115V	230V	Series Connection	Parallel Connection
VDE-100L-10	VDE1-100L-10	VDE2-100L-10	10VCT @ 10.0A	5V @ 20.00A
VDE-100L-126	VDE1-100L-126	VDE2-100L-126	12.6VCT @ 7.93A	6.3V @ 15.8A
VDE-100L-16	VDE1-100L-16	VDE2-100L-16	16VCT @ 6.25A	8V @ 12.50A
VDE-100L-18	VDE1-100L-18	VDE2-100L-18	18VCT @ 5.55A	9V @ 11.11A
VDE-100L-20	VDE1-100L-20	VDE2-100L-20	20VCT @ 5.00A	10V @ 10.00A
VDE-100L-24	VDE1-100L-24	VDE2-100L-24	24VCT @ 4.16A	12V @ 8.33A
VDE-100L-28	VDE1-100L-28	VDE2-100L-28	28VCT @ 3.57A	14V @ 7.14A
VDE-100L-36	VDE1-100L-36	VDE2-100L-36	36VCT @ 2.77A	18V @ 5.55A
VDE-100L-230	VDE1-100L-230	VDE2-100L-230	230VCT @ 0.434A	115V @ 0.869A



INTERNATIONAL POWER TRANSFORMER

VDE-100L-XXX
VDE1-100L-XXX
VDE2-100L-XXX

CONTENTS OF THIS DRAWING ARE SUBJECT TO CHANGE WITHOUT PRIOR NOTICE

Wabash Transformer
101 Industrial Park Drive, Clarence, IA 52216

Dim: Inches

Sheet 1 of 1

PROPRIETARY NOTICE: THIS DRAWING PRINT OR DOCUMENT AND SUBJECT MATTER DISCLOSED HEREIN ARE PROPRIETARY ITEMS TO WHICH WABASH TRANSFORMER RETAINS THE EXCLUSIVE RIGHT OF DISSEMINATION, MANUFACTURE AND SALE. THIS DRAWING, PRINT OR DOCUMENT IS SUBMITTED IN CONFIDENCE FOR CONSIDERATION BY THE RECIPIENT ALONE UNLESS PERMISSION FOR FURTHER DISCLOSURE IS EXPRESSLY GRANTED IN WRITING