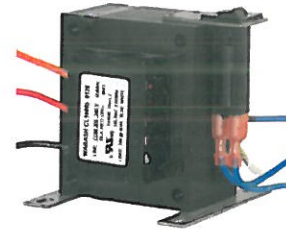


Class 2 UL5085-3 Transformer
80VA - 100VA, Non-Inherently Energy Limited
Series: CL - Lead Wires

- Power Rating 80VA to 100VA
- Secondary Fusing Required (Provided by Factory),
- Frequency 50/60Hz
- Insulation Class F (155°C)
 Class B (130°C) Insulation available



Agency Approvals:

- UL/cUL 5085-3 Class 2 Recognized (File E49606)
- Insulation File No. E95662

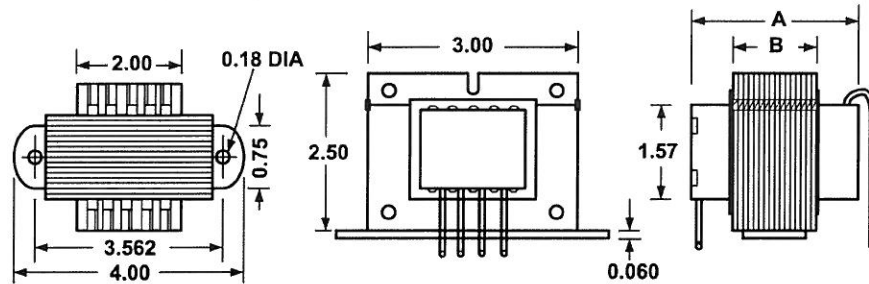


* Multi voltage combinations are available - consult factory.

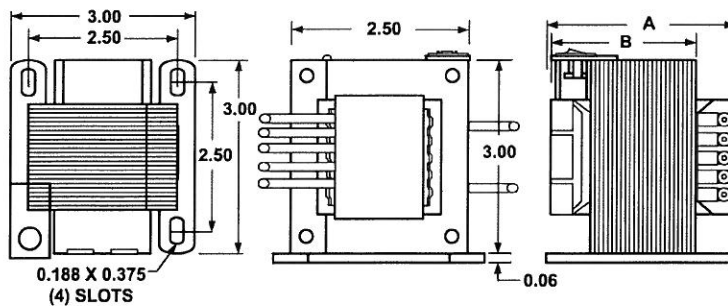
Lead Wires

Type HX Foot Mount - Steel bracket welded to the bottom of the laminations for easy mounting
Type VX Foot Mount - Steel bracket welded to the bottom of the laminations for easy mounting
Lead Wires: All leads are 18 AWG stranded 2/64" (0.794 mm) insulation thickness. Standard parts have 12" (305 mm)

Type HX - Foot Mount, Internally Fused



Type VX - Foot Mount, Vertical, Same Side Leads



Dimensions (Inches)	85VA	100VA
A	2.820	2.820
B	1.500	1.500
Weight (Lbs)	2.900	3.300

Any application, Any requirement, Contact us for our Custom Designs



Sales Office:
 300 W Factory Road, Addison IL 60101 • Phone: (630) 628-9999 • Fax: (630) 628-9922 • www.wabashtransformer.com

Class 2 UL5085-3 Transformer
80VA - 100VA, Non-Inherently Energy Limited
Series: CL - Lead Wires



Partial Selection Guide

Primary Voltage	Secondary Voltage	85 VA Size - 1.0" X 1-1/2"	UL	100 VA Size - 1.0" X 1-1/2"	UL
120	24	CL85R01-000*	✓	CL100K01-000*	✓
	24Vct	CL85R01-0CT*	✓	CL100K01-0CT*	✓
277	24	CL85R02-000*	✓	CL100K02-000*	✓
	24Vct	CL85R02-0CT*	✓	CL100K02-0CT*	✓
480	24	CL85R04-000*	✓	CL100K04-000*	✓
	24Vct	CL85R04-0CT*	✓	CL100K04-0CT*	✓
120/208/240/480	24	CL85R05-000*	✓	CL100K05-000*	✓
	24Vct	CL85R05-0CT*	✓	CL100K05-0CT*	✓
208/240	24	CL85R15-000*	✓	CL100K15-000*	✓
	24Vct	CL85R15-0CT*	✓	CL100K15-0CT*	✓

* Refer to page number 7. Must complete part number to specify voltages, termination, mounting & fusing.
 For custom designs 3 digit customer ID will be added at the end of the part number.

Lead Wire Details:

Primary Voltage	COM	110, 115, 120	200, 208, 215	220, 230, 240	265, 277	380	400, 415	460, 480	575	600
Color	Black	White	Red	Orange	Brown	Violet	Red/White	Black/Red	Gray	Black/White
Secondary Voltage	COM	12	24	Standard leads: All leads are 12.0" L.O.C (length out of coil) 1/2" strip						
Color	Yellow	Yellow/White	Blue							

Any application, Any requirement, Contact us for our Custom Designs

