

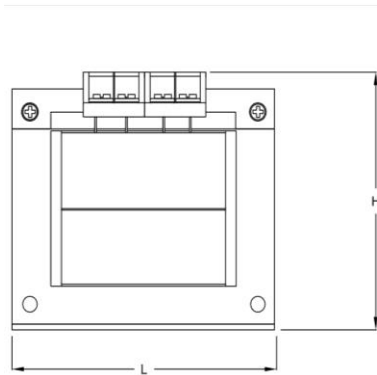
**Series: GP**  
**General Purpose**  
**Industrial Control Transformer**

Power Rating: **50VA**

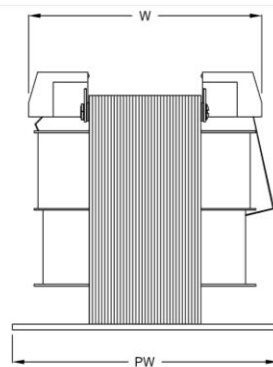
- UL/cUL 5085-2 Listed File E47299, CE marked.
- UL 1446 Recognized Class B 130°C Insulation System File E95662
- 50/60Hz Operation
- No Fuse on Primary and Secondary Side
- European Style Touch-Proof Terminals.



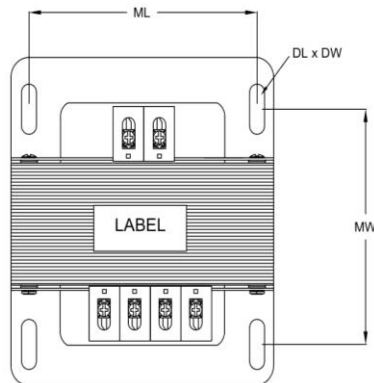
**FRONT VIEW**



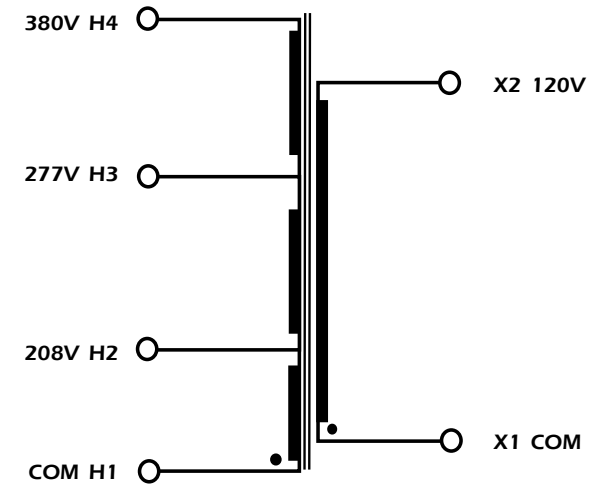
**SIDE VIEW**



**TOP VIEW**



DIMENSIONS	
L	3.000"
W	4.000"
H	3.000"
ML	2.500"
MW	2.930"
PW	3.740"
DL x DW	0.437"x0.203"



		<p>The Power for your System</p>	300 W Factory Road Addison, IL 60101 USA TEL: 630-628-9999 FAX: 630-628-9922 www.powervolt.com
		DESCRIPTION: <b>General Purpose Industrial Transformers</b> <b>208,277,380V 50/60Hz 120V 50VA</b>	
0	4-Mar-2020	<b>MODEL: GP0050-H00</b>	
REV	DATE		