

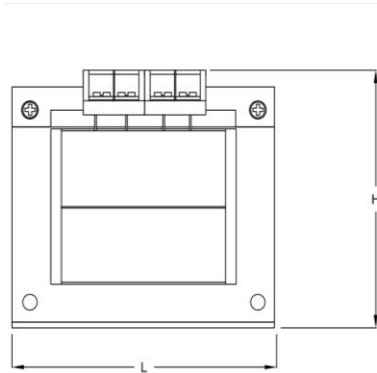
Series: GP
General Purpose
Industrial Control Transformer

Power Rating: **75VA**

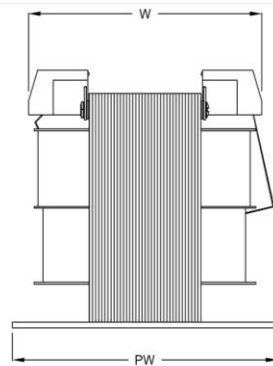
- UL/cUL 5085-2 Listed File E47299, CE marked.
- UL 1446 Recognized Class B 130°C Insulation System File E95662
- 50/60Hz Operation
- No Fuse on Primary and Secondary Side
- European Style Touch-Proof Terminals.



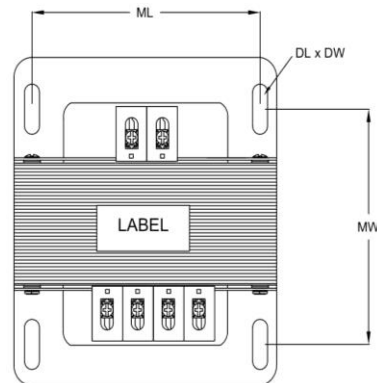
FRONT VIEW



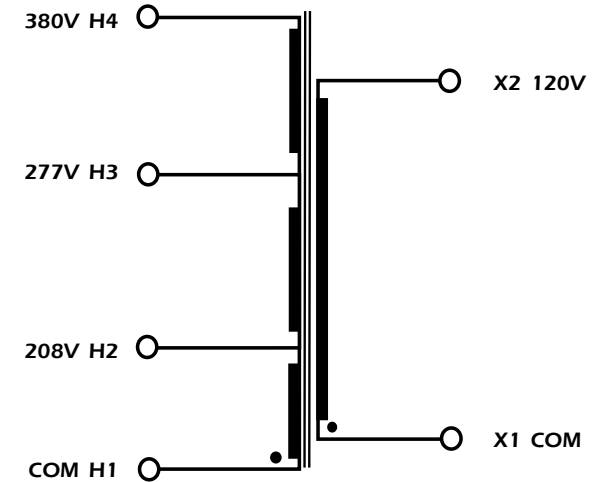
SIDE VIEW



TOP VIEW



DIMENSIONS	
L	3.750"
W	3.500"
H	3.810"
ML	3.130"
MW	2.450"
PW	3.260"
DL x DW	0.437"x0.203"



			300 W Factory Road Addison, IL 60101 USA TEL: 630-628-9999 FAX: 630-628-9922 www.powervolt.com
		DESCRIPTION: General Purpose Industrial Transformers 208,277,380V 50/60Hz 120V 75VA	
0	4-Mar-2020	MODEL: GP0075-H00	
REV	DATE		