

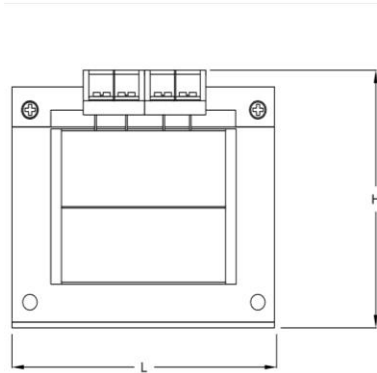
**Series: GP**  
**General Purpose**  
**Industrial Control Transformer**

Power Rating: **100VA**

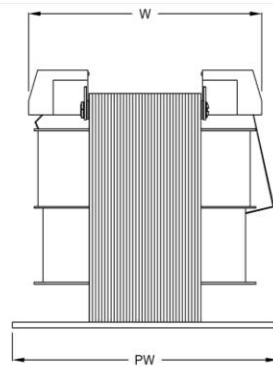
- UL/cUL 5085-2 Listed File E47299, CE marked.
- UL 1446 Recognized Class B 130°C Insulation System File E95662
- 50/60Hz Operation
- No Fuse on Primary and Secondary Side
- European Style Touch-Proof Terminals.



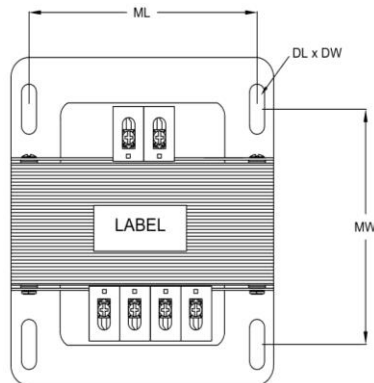
**FRONT VIEW**



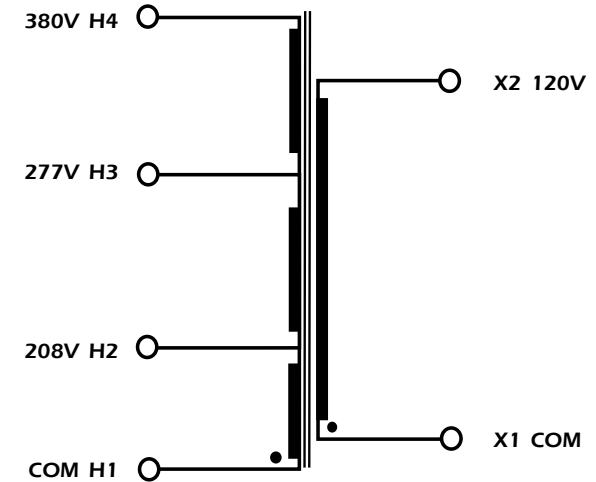
**SIDE VIEW**



**TOP VIEW**



DIMENSIONS	
L	3.750"
W	3.800"
H	3.810"
ML	3.130"
MW	2.690"
PW	3.500"
DL x DW	0.437"x0.203"



		<p>The Power for your System</p>	300 W Factory Road Addison, IL 60101 USA TEL: 630-628-9999 FAX: 630-628-9922 www.powervolt.com
		DESCRIPTION:	
		General Purpose Industrial Transformers	
		208,277,380V 50/60Hz 120V 100VA	
0	4-Mar-2020	MODEL: <b>GP0100-H00</b>	
REV	DATE		