

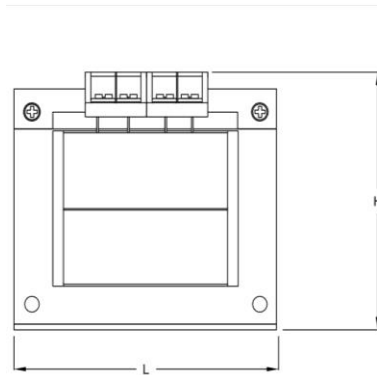
Series: GP
General Purpose
Industrial Control Transformer

Power Rating: **1000VA**

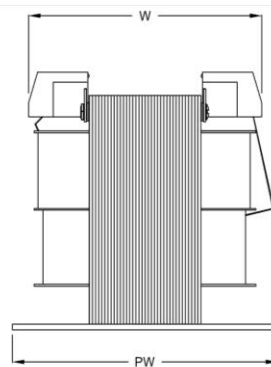
- UL/cUL 5085-2 Listed File E47299, CE marked.
- UL 1446 Recognized Class H 180°C Insulation System File E95662
- 50/60Hz Operation
- No Fuse on Primary and Secondary Side
- European Style Touch-Proof Terminals.



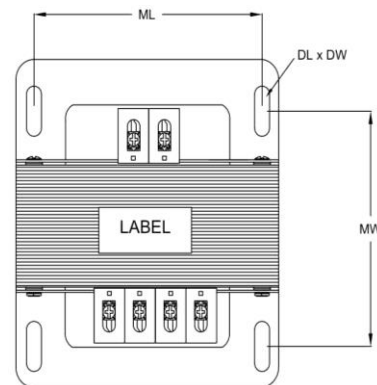
FRONT VIEW



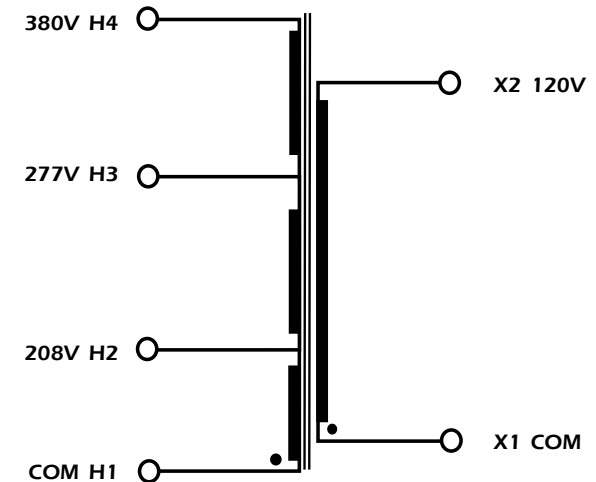
SIDE VIEW



TOP VIEW



DIMENSIONS	
L	6.380"
W	4.900"
H	6.390"
ML	5.310"
MW	4.400"
PW	5.780"
DL x DW	1.000"x0.312"



		<p>The Power for your System</p>	300 W Factory Road Addison, IL 60101 USA TEL: 630-628-9999 FAX: 630-628-9922 www.powervolt.com
		DESCRIPTION: General Purpose Industrial Transformers 208,277,380V 50/60Hz 120V 1000VA	
0	4-Mar-2020	MODEL: GP1000-H00	
REV	DATE		